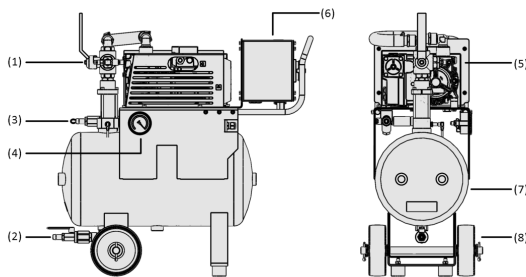


Vacuum Units VAGG

Suction rate 10, 21, 40 and 63 m³/h



Vacuum Units VAGG



System design Vacuum Units VAGG



Vacuum unit VAGG for vacuum generation on a CNC machining center

Suitability for industry specific applications

Applications

- Vacuum unit with oil-lubricated vacuum pump and vacuum and liquid reservoir
- Manual separation of cooling lubricant and rapid emptying by compressed air
- Flexible use on different machines
- Audible and visual system monitoring
- Prepared for integration into the machine control of the CNC machining center

Design

- Compressed air connection incl. pressure-reduction valve (1) for quick draining of the liquid reservoir via drain valve (2)
- Vacuum connection incl. solids filter (3) to prevent dirt entering the reservoir
- Vacuum gauge (4) for visual vacuum monitoring
- Oil-lubricated vacuum pump (5) and electronic control (6) with main switch, energy-saving control and audible warning device
- Vacuum and liquid reservoir (7) with wheels (8) for mobile use of the VAGG

Product highlights

- Highest clamping force due to powerful vacuum pump with over 90% vacuum
- Maximum safety through monitoring of operating vacuum and fill level with visual and audible warning devices incl. integration into the machine control system
- Automatic emergency stop function protects the pump from suctioned liquids
- Fast emptying due to compressed air connection
- Optimum vacuum value with minimum energy consumption thanks to adjustable energy-saving function

Vacuum Units VAGG

Suction rate 10, 21, 40 and 63 m³/h

Designation code Vacuum Units VAGG

VAGG	–	10	–	AC3	–	30		MD
1		2		3		4		5

1 – Abbreviated designation

Code	Version
VAGG	VAGG

2 – Performance class

Code	Suction rate in m³/h
10...63	10 to 63

3 – Current Type

Code	Type
AC3	Three-phase

4 – Vacuum / Liquid reservoir

Code	Volume in l
30...80	30 and 80

5 – Product addition

Code	Certification
MD	Manuel drain

The vacuum unit VAGG is supplied as a product ready to connect.

Available spare parts: vacuum gauge, oil, spare parts set float, wear parts set vacuum pump, vacuum pump

Available accessories: vacuum hose

Ordering data Vacuum Units VAGG

Type	Part no.
VAGG 10 AC3 30 MD	10.01.27.01969
VAGG 21 AC3 30 MD	10.01.27.01970
VAGG 40 AC3 80 MD	10.01.27.01971
VAGG 63 AC3 80 MD	10.01.27.01972

Ordering data Spare parts Vacuum Units VAGG

Type	Vacuum pump	Set of parts subject to wear pump	Oil	Oil filter
VAGG 10	10.03.02.00111	10.03.02.00114	27.02.01.00055	-
VAGG 21	10.03.02.00112	10.03.02.00115	27.02.01.00055	-
VAGG 40	10.03.02.00072	10.03.02.00060	27.02.01.00055	10.03.02.00009
VAGG 63	10.03.02.00073	10.03.02.00055	27.02.01.00055	10.03.02.00009

Type	Spare parts	Part no.
VAGG 40	Accessories	ZUB BEL EVE-OG-40-AC3
VAGG 63	Accessories	ZUB BEL EVE-OG 63/100-AC3

Type	Spare parts	Part no.
VAGG 10	Sieve insert	SIEB-EINS 18x 32 VAGG
VAGG 21	Sieve insert	SIEB-EINS 18x 32 VAGG
VAGG 40	Sieve insert	SIEB-EINS 24x 41 NLS
VAGG 63	Sieve insert	SIEB-EINS 24x 41 NLS

Type	Part no.
Spare part	ERS VAGG 6-63
Oil	OEL EVE-OG 1LANDEROL 555
Pipe (machined)	ROHR 40x3x90 VC-SYS
Horn	HUPE 42.5x43.5 S017 SW

Ordering data Accessories Vacuum Units VAGG

Accessories	Part no.
Vacuum distributor	VTR-ZF 8x 1TN MAN/KVZ

Vacuum Units VAGG

Suction rate 10, 21, 40 and 63 m³/h

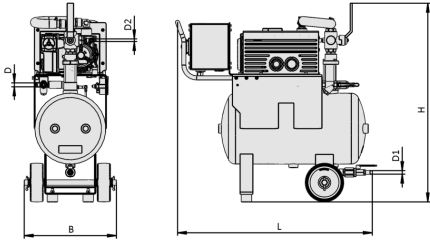
Technical data Vacuum Units VAGG

Type	Suction rate (max.) [m ³ /h]	Current type	Max. vacuum [mbar]	Protection type IP	Approval	Function	Weight [kg]
VAGG 10 AC3 30 MD	10	three-phase current	930	-	-	Manual drain	-
VAGG 21 AC3 30 MD	21	three-phase current	930	-	-	Manual drain	-
VAGG 40 AC3 80 MD	40	three-phase current	930	-	-	Manual drain	-
VAGG 63 AC3 80 MD	63	three-phase current	930	-	-	Manual drain	-

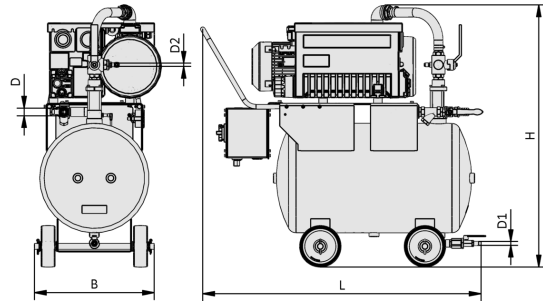
Vacuum Units VAGG

Suction rate 10, 21, 40 and 63 m³/h

Design data Vacuum Units VAGG



VAGG 10 / 21



VAGG 40 / 63

Vacuum Units VAGG

Suction rate 10, 21, 40 and 63 m³/h

Design data Vacuum Units VAGG

Type	B [mm]	D [mm]	D1 [mm]	D2 [mm]	H [mm]	L [mm]
VAGG 10 AC3 30 MD	360	12	14	7.2	733	746
VAGG 21 AC3 30 MD	360	12	14	7.2	733	746
VAGG 40 AC3 80 MD	435	25	14	7.2	926	994
VAGG 63 AC3 80 MD	435	25	14	7.2	926	994